



EWA
EXOTIC WILDLIFE ASSOCIATION
Est. 1967

2024 Conservation Extravaganza
Exotic Conservation Auction

Lot 801

1.0 Dama Gazelle – Yearling - Born February 2023

100% Donation to SAF Dama Gazelle Conservation Workshop

*Born August 2023. This is the animal you are purchasing.
Pick up in Johnson City, TX. Located in Johnson City, TX.*



*Rough Hollow Reserve
Bruce Fairchild - 512-217-2701*

Lot 802

0.4 White Fallow - Mature

Offering a package of 4 white, registered fallow does out of our breeding program. All does are 1st generation with pedigree information listed below. Pickup from ranch or delivery arranged around September 15th, 2024. Sold times the money.



Moonshine

3-S Pink 88 (EWA#2-6918) DW-2 / 3-S DW Pink114

3-S White 1035 (EWA#2-5191) Great White / 3-S W9009

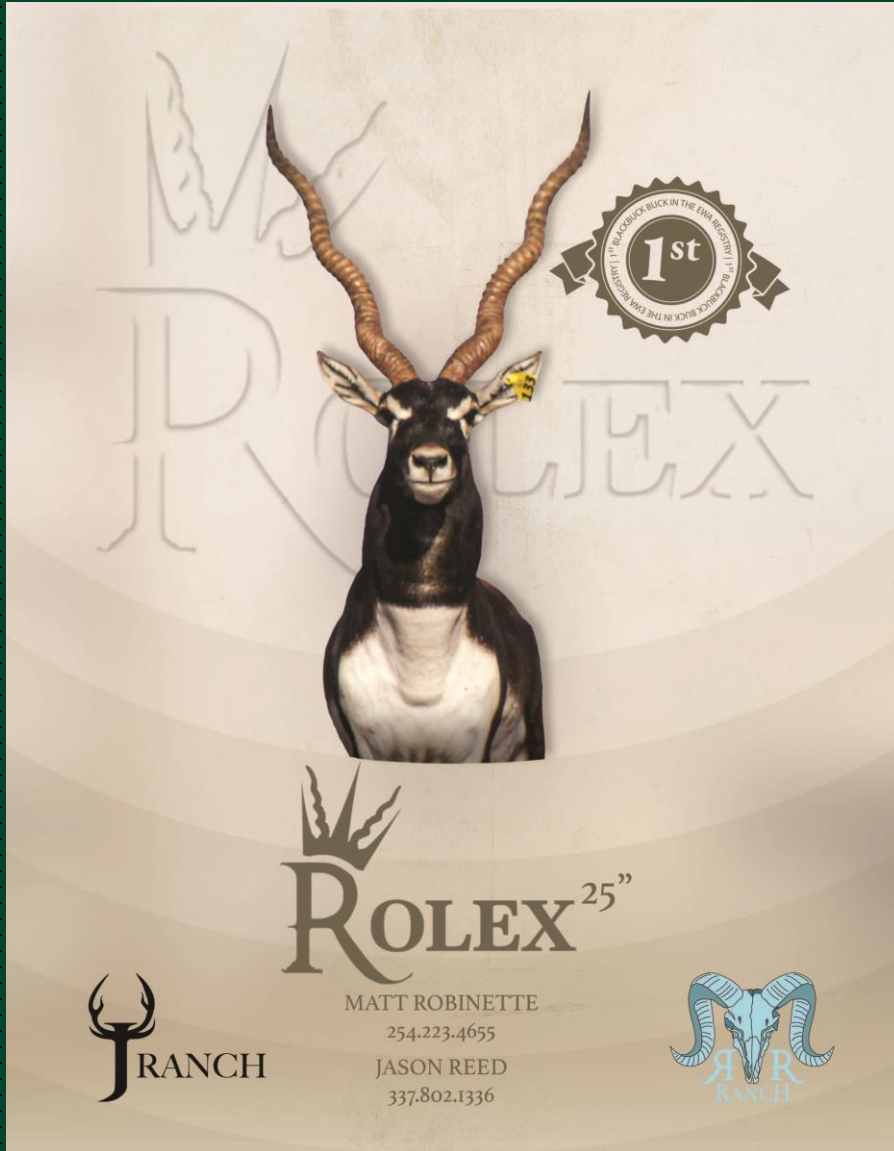
3-S White 1040 (EWA#2-5196) Moonshine / 3-SW9015

3-S White 1085 (EWA#2-5212) Great White / 3-S W92

3-S Ranch

Chris Stewart - 832-493-0147

Lot 803



0.2 Blackbuck - Immature

*2 Blackbuck doe fawns sired by Rolex.
Rolex is RJR Exotics 25" Blackbuck.
These are 1 acre pen raised does.*

*RJR Exotics
Matt Robinette – 254-223-4655
Jason Reed – 337-802-1336*

Lot 804

0.2 Nubian Ibex - Mature

2 Nubian Ibex females out of our pure premium herd of almost 20 years. Ages 1.5 – 3 yrs. old. Male will be offered to the buyer after the sale. Best of the best. Picture is representative of the herd. Located in Round Mountain, TX. Delivery at \$3.00/loaded mile.



*Caveman Wildlife - Lance Clawson - 512-773-7070
Lasseter Ranch – Aden Lasseter – 512-567-5459*

Lot 805

1.0 Nubian Ibex – Mature (2 yrs. old)

2 yr. old Nubian Ibex male. The animal in front is the animal you are purchasing.

Located in Spring Branch, TX. Pick up or delivery at \$3.00/loaded mile.

Contact Robbie Broyles at 210-416-7307.



Double G Ranch

Jack Guenther

Contact Robbie Broyles – 210-416-7307

Lot 806

1.1 Red Kangaroo - Immature

*Bottle baby pair, with supplies. These are the animals you are purchasing.
Located in Harper, TX. Delivery at \$2.00/loaded mile.*



Zoofari

Steven Provost - 512-826-2413

Lot 807

0.3 Scimitar Horned Oryx - Mature

*Picture is representative of the herd. Located in Stonewall, TX.
Pick up or delivery at \$4.00/loaded mile.*



*Iron Game Ranch
Chuck Herndon - 830-900-4766*

Lot 808

2.0 Scimitar Horned Oryx - Mature

Mature bulls, live caught. In 10-acre pen next to barn ready to live load on your trailer.

These are the animals you are purchasing. Located in Eden, TX. Pick up or delivery at \$3.50/loaded mile.

Contact Dale Caffey at 325-456-1441 for pick up or delivery.



*Caffey Bar 6 Game Ranch
Dale Caffey - 325-456-1441*

Lot 809

5.0 Aoudad - Mature

*These Aoudad rams are coming from some of our large free-range ranches in far west Texas.
These rams will be 28-32" in length. Picture is representative of the herd.
Delivery at \$4.00/loaded mile from Kerrville.*



*Ahrens Ranch & Wildlife, LLC
Calan Ahrens - 432-386-7477*

Lot 810

0.2 Fallow - Yearling

2 spotted female Fallow out of Big D (pictured). Born July 2023.

Picture is representative of the herd. Located in Uvalde, TX. Delivery at \$4.50/loaded mile.



Big D

RJ Enterprises

Rodney Jeffreys - 210-416-9906

Lot 811

1.0 Fallow - Mature

*9"+ palm entry level breeder / exceptional shooter white fallow. Baseline registered.
This is the animal you are purchasing. Located in Cistern, TX.
Pick up or delivery at \$4.00 / loaded mile.*



*All-In Exotic Hoofstock, LLC
Scott Vinklarek - 210-771-6151*

Lot 812

0.1 Axis - Immature

JARVIS
JUMANJI
JACKPOT
JETSTREAM
JACKAL
ROLEX
JUGGERNAUT
ROYAL

RJR
EXOTICS

JASON REED
337-802-1336

FOLLOW US @RJR EXOTICS

MATT ROBINETTE
254-223-4655

*1 axis doe fawn sired by one of RJR Exotics
beautiful axis breeders.*

These are all 3/4-acre pen raised herds.

RJR Exotics

Matt Robinette – 254-223-4655

Jason Reed – 337-802-1336

Lot 413



0.1 Blackbuck - Mature

Keeper Ranch and 4T Exotics are proud to offer for the first time, one blackbuck doe guaranteed bred to Twister.

Twister is an exceptional breeder with 24"+ width and 25" horns. Twister is one of the biggest blackbuck in the industry. Picture is representative of the herd.

Located in Jacksboro, TX. Doe can be picked up or delivered for \$4.00 a loaded mile.

*Keeper Ranch & 4T Exotics
Trevor Williams 936-349-5227
Beau Thompson – 940-229-0388
Michael Ozuna – 210-241-9836*

Lot 814

0.1 Addax - Yearling

*Coming out of our main herd located in Stockdale 78109. Sired by wide bull in picture attached.
Born and raised in a 12-acre pen. Will come to feed. This is the animal you are purchasing.
Can be picked up or delivered*



*DRZ Exotics, LLC
Duane Drzymala – 210-844-5591*

Lot 815

1.0 Sitatunga - Yearling

Cypress Creek Ranch is proud to offer this lot, our animals are kept on a year-round nutrition program and wormed accordingly. Please feel free to call us if you have any questions that will help you bid with confidence. Picture is representative of the herd. Located in Leakey, TX. Delivery at \$3.50/loaded mile.



*Cypress Creek Ranch
Pete Moore – 940-337-3951*

Lot 816

1.0 Springbok – Mature

100% Donation to SAF Dama Gazelle Conservation Workshop

Hatada is offering a great 3 yr. old potential breeder. Exceptional horn shape, length and mass. Born and raised on Hatada Ranch in a free roaming environment. This is the animal you are purchasing. Located at Hatada Ranch. Pick up at Hatada Ranch



Hatada Ranch

Doug Dutschmann – 254-644-3283

Lot 817

1.2 Persian Ibex - Yearling

*Born Spring 2023. Breeder billy in picture is not for sale. Picture is representative of the herd.
Located in Jonestown, TX. Delivery at \$4.00/loaded mile.*



*Pura Vida Ranch, LLC
Steven Searcy – 512-897-2711*

Lot 818

1.0 Nubian Ibex – Mature (3 yrs. old)

3 yr. old. This is the animal you are purchasing. Located in Leakey, TX. Delivery at \$3.50/loaded mile. Contact Vick Jones for pick up or delivery 830-279-5822.



*Cedar Hollow Ranch
Dan & Kathy Allford
Contact Vick Jones – 830-279-5822*

Lot 819

0.1 Arabian Oryx - Yearling

Picture is representative of the herd. Located in Barksdale, TX. Pick up at ranch.



*Tarpey Ranch, Ltd.
Don & Bobbie Tarpey – 409-766-0282*

Lot 820

0.2 Gemsbok - Mature

Picture is representative of the herd. Located in Stonewall, TX.

Pick up or delivery at \$4.00/loaded mile



Iron Game Ranch

Chuck Herndon - 830-900-4766

Lot 821



0.2 Zebra - Immature

Born December 2023 - January 2024.

Located in Harper, TX.

Delivery at \$2.50/loaded mile.

Get Exotic, LLC

Craig Brands – 830-456-3284

Lot 822

0.1 Grants Zebra - Mature

*This is a great 5 yr. old mare. She has produced two foals and exposed back to our stallion.
No shadow stripes and very gentle. Picture is representative of the herd.
Located at Hatada Ranch. Pick up at Hatada Ranch.*



*Hatada Ranch
Doug Dutschmann – 254-644-3283*

Lot 823

0.2 Fallow - Yearling

2 spotted female Fallow out of Big D (pictured). Born July 2023.

Picture is representative of the herd. Located in Uvalde, TX. Delivery at \$4.50/loaded mile.



Big D

RJ Enterprises

Rodney Jeffreys - 210-416-9906

Lot 824

0.2 Transcaspiian Urial - Immature

*One daughter is from "Big Jake", the second daughter is from "Big Jake's" son.
One male might be available - taking inquiries. Picture is representative of the herd.
Located in Lometa, TX. Delivery at \$4.00/loaded mile.*



*Cherokee Capturing Services, LLC
James Bonds – 512-636-9750*

Big Jake

Lot 825

1.0 Nubian Ibex - Mature

100% Donation to EWA

*This is the animal you are purchasing.
Located at The Patio Ranch. Must pick up at ranch.*



The Patio Ranch

Eric Stumberg

Contact Daniel Gray – 830-238-4830

Lot 826

3 Fallow Live Covers

*We are offering 3 LIVE covers to our bucks.
Bring your 3 doe to SWR to be live cover by your choice of our breeders. 3 times the money.*



Mighty Right



Yogi

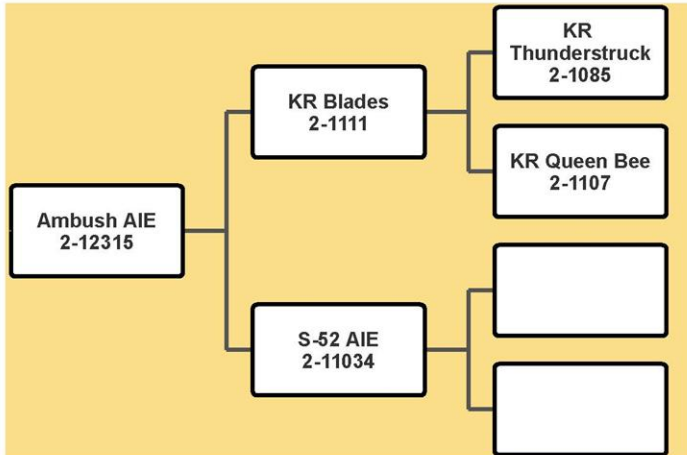
*Sullivan Whitetail Ranch
Jeff Dean – 972-658-9579*

Lot 827

2 Straws Ambush Semen (2-12315)



AIE is excited to offer 2 straws of Ambush AIE. He completely "ambushed" us with his extraordinary growth this year. He's a 2 yr. old Blade's son over one of our Sola Fe doe's purchased several years ago. We collected him last year as a yearling and have had several fawns out him this year. Straws are packed at 100 mil. #BreedWisely.



*All-In Exotic Hoofstock, LLC
Scott Vinklarek – 210-771-6151*

Lot 828

0.3 Axis

Three axis does available for auction, set to be bred to High Cotton, the world's first and only known white axis breeder buck. This unique opportunity allows you to incorporate the pioneering genetics of High Cotton into your breeding program.



NT Exotics

Nash Murray – 979-618-0044

Lot 829

1.0 Southern Impala - Mature

Exceptional 3 yr. old Southern Impala ram with great length and stunning width.

Measured 21 6/8" on 7/12/2024. He is sired by our 27" herd ram "Apollo".

He was raised in a free roaming environment. This is the animal you are purchasing.

Located at Hatada Ranch. Delivery available.



Sire

Hatada Ranch

Doug Dutschmann – 254-644-3283

Lot 830

0.1 Impala - Mature

Cypress Creek Ranch is proud to offer this lot, our animals are kept on a year-round nutrition program and wormed accordingly. Please feel free to call us if you have any questions that will help you bid with confidence. Picture is representative of the herd. Located in Leakey, TX. Delivery at \$3.50/loaded mile.



*Cypress Creek Ranch
Pete Moore – 940-337-3951*

Lot 831

1.0 Sitatunga - Mature

*3 yr. old male Sitatunga. This is the animal you are purchasing.
Located near Buda, TX. Pick up or delivery at \$4.00/loaded mile.
Call the EWA office at 830-315-7761.*



Exotic Wildlife Association – 830-315-7761

Lot 832

1.0 Addax - Yearling



Raised in 4' fence.

This is the animal you are purchasing.

Located in Hallettsville, TX.

Delivery at \$3.50/loaded mile.

Double S Exotics

Chris Steffek – 361-772-4140

Lot 833

1.0 Springbok - Mature

*Mature Springbok male coming from our personal AR&W herd in south Texas.
Picture is representative of the herd. Located in Falfurrias, TX. Delivery at \$4.00/loaded mile.*



*Ahrens Ranch & Wildlife, LLC
Calan Ahrens - 432-386-7477*

Lot 834

1.0 Sable - Yearling

1.5 yr. old male Sable. This is the animal you are purchasing.

Located near Buda, TX. Buyer picks up.

Call the EWA office at 830-315-7761.



Exotic Wildlife Association – 830-315-7761

Lot 835



Capone



Cowboy

0.5 Chocolate Fallow - Mature

Offering a package of 5 chocolate, registered fallow does out of our breeding program. The information on the does is listed below and pickup or delivery will need to take place around September 15th.

Pictures are of Capone and Cowboy and this lot is sold times the money. Located in Bedias, TX. Delivery at \$4.00/loaded mile.

Purple 003 (EWA# 2-19545) Capone / Wht-018TH

Pink 97 (EWA# 2-6921) DW-2 / Pink 89D / DW-1

Green 3040 (EWA# 2-17491) Cowboy / Pink 226

Pink 244 (EWA# 2-6963) Thunderstruck Jr. / RH Yellow923

White 1067 (EWA# 2-7182) Magnum / -

3-S Ranch

Chris & Randy Stewart - 832-493-0147

Lot 836

1.0 Fallow - Yearling

1 spotted male Fallow out of Big D (pictured). Born July 2023.

Picture is representative of the herd. Located in Uvalde, TX. Delivery at \$4.50/loaded mile.



Big D

RJ Enterprises

Rodney Jeffreys - 210-416-9906

Lot 837

1.0 Axis - Immature



Dream On

*Future breeder buck in the making right here!
Prime Acres is offering a buck fawn out of Dream On.
With his impressive beam length and extras, Dream On is helping
to write the future of the axis breeding industry! The dam of this
buck fawn will also be in the registry.
We will start the fawn on the bottle. Buyer will pick up the fawn to
bottle raise. Picture is representative of the herd.
Located in Woodville, TX.*

*Prime Acres
Brad Hassig – 970-260-8656*

Lot 838

3 Straws Follow Semen

*3 semen straws of buyer's choice from All-In, EZ Money, and/or Redemption.
Can't go wrong with any of these guys in your program!*

ALL IN
SFR ALL IN • DNAS# 2487

- ROYAL / 1369
- TREE / 1356
- LADY / 1351
- JOKER / 2336
- SFRAE 165 IES / 1378
- AH19 / 2855
- RC RED 3 / 1545

EZ MONEY
SFR EZ MONEY • DNAS# 2488

- ROYAL / 1369
- TREE / 1356
- LADY / 1351
- CHIEF / 1366
- SFR DYANI / 2130
- 69AH / 1349

REDEMPTION
WHITE 34 ETO • DNAS# 3802

- COMMANDER / 1676
- BULLWINKLE / 1051
- KR QUEEN BEE / 1107
- MIGHTY MOOSE / 1364
- Y15 RP / 1823
- Y13 RP / 1821

*ETO Genetics
Aubrey & Sheena Sturrock – 936-671-9700*

Lot 839

1.0 Blackbuck - Mature

18" + Blackbuck.

Picture is representative of the herd.

Located in Cistern, TX. Pick up or delivery at \$4.00/loaded mile.



*All-In Exotic Hoofstock, LLC
Scott Vinklarek – 210-771-6151*

Lot 840

1.1 Waterbuck - Mature

2 yr. old past bull and 3 yr. old cow. Gentle and easy to enjoy.

These are the animals you are purchasing.

Located in the Texas Panhandle. Delivery at \$3.50/loaded mile.



*Panhandle Wildlife Consultants, LLC
Devin Ballard – 806-983-4015*

Lot 841

1.1 Zebra - Mature

Gentle breeding pair of zebra raised on small acreage with other exotic species. Animals will be captured and ready for pick up within 2 weeks from sale day. These are the animals you are purchasing. Located in Fredericksburg, TX.



*Texas Best Exotics
Cody Frantzen – 830-992-5264*

Lot 842

0.5 Nilgai - Mature

These mature girls will be coming from a very large low fence ranch in south Texas near Raymondville.

Set capture dates are in November and December. Picture is representative of the herd.

Delivery at \$4.00/loaded mile from Kerrville.



*Ahrens Ranch & Wildlife, LLC
Calan Ahrens - 432-386-7477*

Lot 843

1.1 Pere David - Mature

Picture is representative of the herd.

Located in Spring Branch, TX. Pick up or delivery at \$3.00/loaded mile.

Contact Robbie Broyles at 210-416-7307.



*Double G Ranch
Jack Guenther*

Contact Robbie Broyles – 210-416-7307

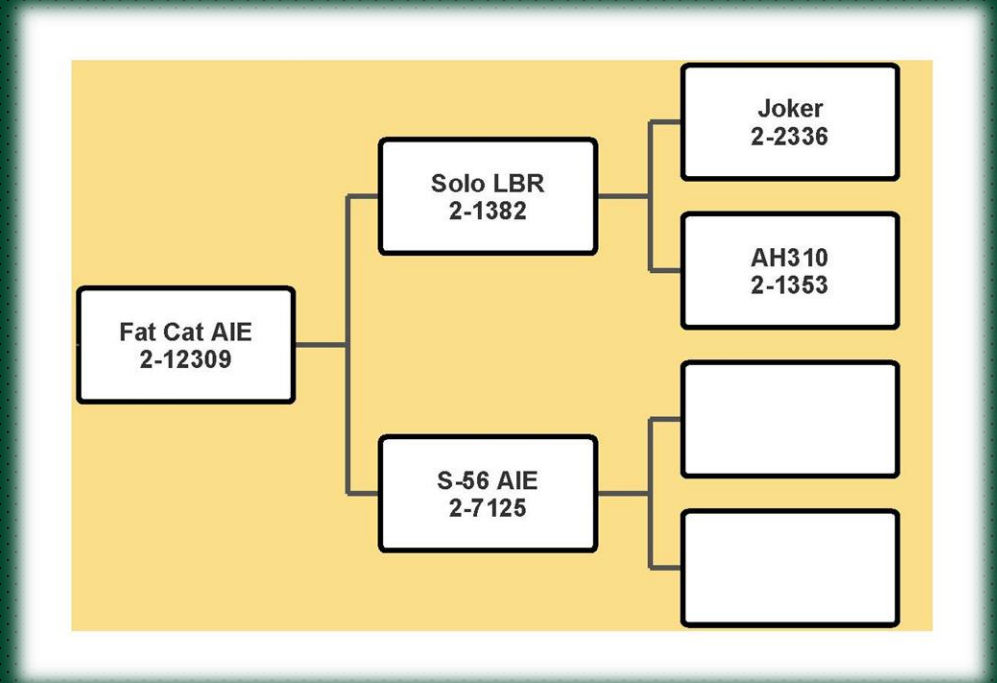
Lot 844

2 Straws of Fat Cat Semen (2-12309)

AIE is offering 2 straws of Fat Cat @ 3.

He is Solo (Joker) over one of our baseline does purchased from Sola Fe several years ago.

Semen to be collected late summer 2024.



*All-In Exotic Hoofstock, LLC
Scott Vinklarek – 210-771-6151*

Lot 845

1.0 Hog Deer - Mature



*This is the animal you are purchasing.
Located in Hallettsville, TX.
Delivery at \$3.50/loaded mile.*

*Double S Exotics
Chris Steffek – 361-772-4140*

Lot 846

1.1 Red Kangaroo - Yearling

Pen raised; parent raised.

Picture is representative of the herd.

Located in Harper, TX. Delivery at \$2.00/loaded mile.



Zoofari

Steven Provost - 512-826-2413

Lot 847

1.0 Nubian Ibex - Mature

3 yr. old Nubian Ibex male.

This is the animal you are purchasing.

Located in Jonestown, TX. Delivery at \$4.00/loaded mile.



*Pura Vida Ranch, LLC
Steven Searcy – 512-897-2711*

Lot 848

1.0 Nubian Ibex – Mature (4 yrs. old)

4 yr. old. This is the animal you are purchasing.

Located in Leakey, TX Delivery at \$3.50/loaded mile.

Contact Vick Jones for pick up or delivery 830-279-5822



Cedar Hollow Ranch

Dan & Kathy Allford

Contact Vick Jones – 830-279-5822

Lot 849

3 Live Covers to Redemption and/or All-In

Buyer will bring 3 does from their herd to ETO deer farm for the 2024 breeding season to live cover to Redemption and/or All-In. The genetics in these bucks speak for themselves.



ETO Genetics

Aubrey & Sheena Sturrock – 936-671-9700

Lot 850

1.0 Impala - Immature

Great condition! 10 months old.

This is the animal you are purchasing.

Located in Lometa, TX. Delivery at \$3.00/loaded mile.



*Cherokee Capturing Services, LLC
James Bonds – 512-636-9750*

Lot 851

3 Straws of Chief Semen

100% Donation to EWA

*3 Straws of Chief Semen.
3 x the money.*



*3-S Ranch
Chris Stewart - 832-493-0147*

Lot 852

1.0 Springbok - Yearling

*12–18-month-old Springbok male.. This is the animal you are purchasing.
Located near Buda, TX. Pick up or delivery at \$4.00/loaded mile.
Call the EWA office at 830-315-7761.*



Exotic Wildlife Association – 830-315-7761

Lot 853

1.0 Springbok - Mature

*Mature Springbok male coming from our personal AR&W herd in south Texas.
Picture is representative of the herd. Located in Falfurrias, TX. Delivery at \$4.00/loaded mile.*



*Ahrens Ranch & Wildlife, LLC
Calan Ahrens - 432-386-7477*

Lot 854

0.1 Springbok - Mature

*This is a mature female Springbok and will be very similar if not one of the females pictured.
Picture is representative of the herd. Located at Bear Creek Exotics.
Must be picked up at Bear Creek Exotics.*



*Bear Creek Exotics, LLC
Doug Smith – 830-377-4736*

Lot 855

1.0 Addax – Yearling - Born February 2023

100% Donation to EWA Legal Account

*Born February 2/15/2023; Excellent genetics, sire pictured. This is the animal you are purchasing.
Pick up in Johnson City, TX. Located in Johnson City, TX*



Sire

*Rough Hollow Reserve
Bruce Fairchild - 512-217-2701*

Lot 856

0.2 Thompson Gazelle - Yearling

Pen raised in 10 acres. Raised on year-round free choice protein and alfalfa.

Picture is representative of the herd. Located in Christoval, TX.

Pick up in Christoval or delivery at \$4.00/loaded mile.



Chase Net, Inc.

Chase Akin – 325-650-8389

Lot 857

0.1 Grants Gazelle - Yearling

Hatada has two separate herds of Grants Gazelle to produce superior genetics.

This stunning female will make a great addition to any herd.

This is the animal you are purchasing. Located at Hatada Ranch. Delivery available.



Hatada Ranch

Doug Dutschmann – 254-644-3283

Lot 858

0.1 Grants Gazelle - Mature

*Nice mature female Grants Gazelle. Picture is representative of the herd.
Located at Bear Creek Exotics. Must be picked up at Bear Creek Exotics.*



*Bear Creek Exotics, LLC
Doug Smith – 830-377-4736*

Lot 859

0.1 Scimitar Horned Oryx - Yearling

Coming out of our main herd located in Stockdale 78109 . Sired by a 40" bull.

This is the animal you are purchasing. Located in Stockdale, TX.

Pick up or delivery at \$3.50/loaded mile.



DRZ Exotics, LLC

Duane Drzymala – 210-844-5591

Lot 860

0.1 Arabian Oryx - Yearling

Picture is representative of the herd.

Located in Barksdale, TX.

Pick up at ranch.



Tarpey Ranch, Ltd.

Don & Bobbie Tarpey – 409-766-0282

Lot 861

0.1 Dama Gazelle - Yearling

*Pasture raised in 2,000 acres and extremely gentle. These are raised on free choice protein and alfalfa year-round. Picture is representative of the herd. Located in Christoval, TX.
Pick up in Christoval or delivery at \$4.00/loaded mile.*



*Chase Net, Inc.
Chase Akin – 325-650-8389*

Lot 862

0.1 Blesbok - Mature

Mature blesbok female that is a proven mother. Herd produces 15" bulls at 2 years old.

Raised in 1000-acre pasture. On year-round feed and wormed quarterly.

Picture is representative of the herd. Located in Mountain Home, TX. Delivery at \$3.00/loaded mile.



*YO Schreiner Ranch
Bobby & Luke Schreiner – 830-739-2712*

Lot 863

1.1 Blesbok - Yearling

*A great pair of Blesbok, raised in a free roaming environment. Outstanding genetics.
One of the largest herds in the US. These are the animals you are purchasing.
Located at Hatada Ranch. Delivery available.*



*Hatada Ranch
Doug Dutschmann – 254-644-3283*

Lot 864

1.1 Gemsbok - Immature

9 months old. Excellent condition. The breeder male is Viper (40" male); calm herd; hand fed daily. These animals will be available for transport in October. Picture is representative of the herd. Located in Lometa, TX. Delivery at \$4.00/loaded mile..



*Cherokee Capturing Services, LLC
James Bonds – 512-636-9750*

Lot 865

1.1 Gemsbok - Mature

2 yr. olds both are exceptional examples of the species.

Picture is representative of the herd.

Located in the Texas Panhandle. Delivery at \$3.50/loaded mile..



*Panhandle Wildlife Consultants, LLC
Devin Ballard – 806-983-4015*

Lot 866

1.0 Impala - Yearling

This is the animal you are purchasing.

Located in Leakey, TX Delivery at \$3.50/loaded mile.

Contact Vick Jones for pick up or delivery 830-279-5822



Cedar Hollow Ranch

Dan & Kathy Allford

Contact Vick Jones – 830-279-5822

Lot 867



1.0 Addax - Yearling

Raised in 4" fence.

This is the animal you are purchasing.

Located in Hallettsville, TX.

Delivery at \$3.50/loaded mile.

Double S Exotics

Chris Steffek – 361-772-4140

Lot 868

1.0 Nyala - Yearling



Cypress Creek Ranch is proud to offer this lot, our animals are kept on a year-round nutrition program and wormed accordingly. Please feel free to call us if you have any questions that will help you bid with confidence. Picture is representative of the herd. Located in Leakey, TX. Delivery at \$3.50/loaded mile.

Dropline Studios

*Cypress Creek Ranch
Pete Moore – 940-337-3951*

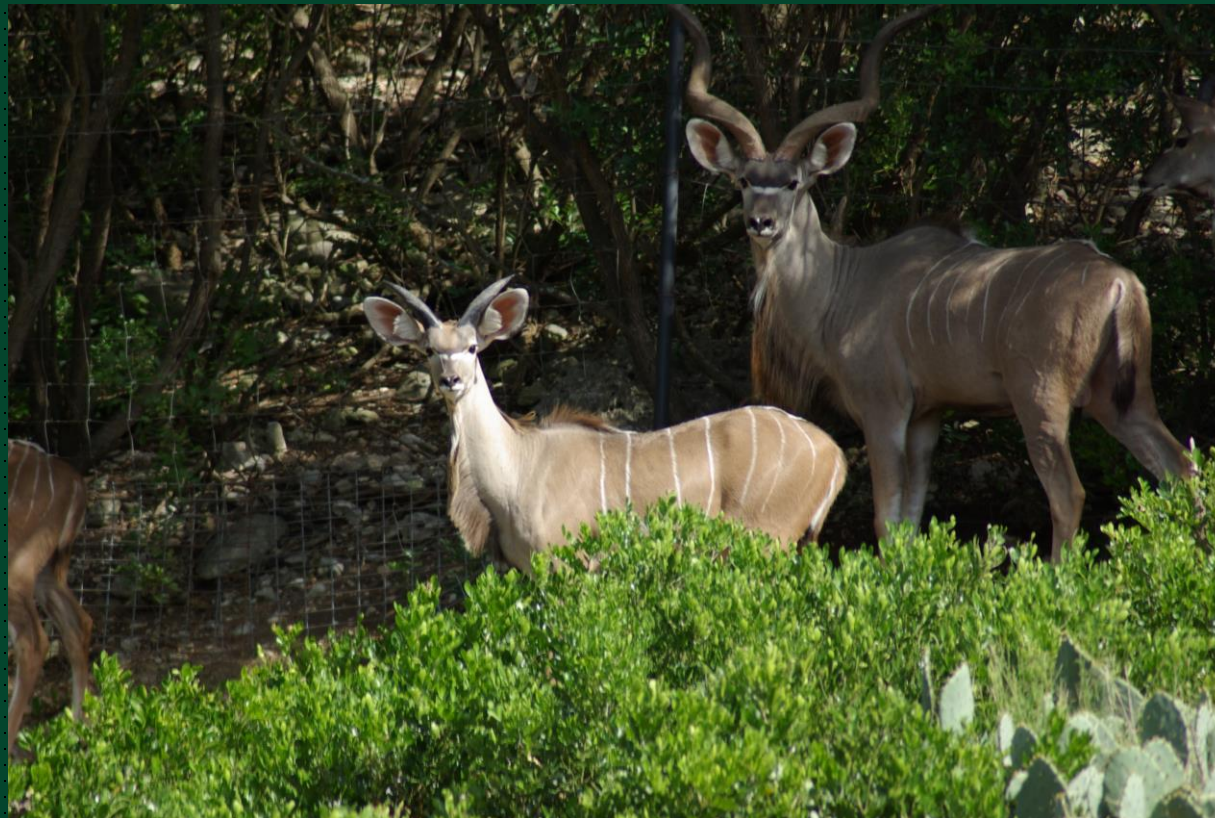
Lot 869

1.0 Kudu - Yearling

This is the animal you are purchasing.

Located in Leakey, TX Delivery at \$3.50/loaded mile.

Contact Vick Jones for pick up or delivery 830-279-5822



Cedar Hollow Ranch

Dan & Kathy Allford

Contact Vick Jones – 830-279-5822

Lot 870

1.0 Kudu - Mature



2 yr. old Kudu bull.

*This is the animal you are purchasing.
Located in Barksdale, TX. Pick up at ranch.*

*Tarpey Ranch, Ltd.
Don & Bobbie Tarpey – 409-766-0282*

Lot 871

1.0 Nyala - Yearling

*18-24 months old male Nyala. This is the animal you are purchasing.
Located near Buda, TX. Pick up or delivery at \$4.00/loaded mile.
Call the EWA office at 830-315-7761.*



Exotic Wildlife Association – 830-315-7761

Lot 872

0.1 Nyala - Yearling

*1.5 yr. old female Nyala. Picture is representative of the herd.
Located near Buda, TX. Pick up or delivery at \$4.00/loaded mile.
Call the EWA office at 830-315-7761.*



Exotic Wildlife Association – 830-315-7761

Lot 873

0.1 Grants Gazelle - Mature

*Nice mature female Grants Gazelle. Picture is representative of the herd.
Located at Bear Creek Exotics. Must be picked up at Bear Creek Exotics.*



*Bear Creek Exotics, LLC
Doug Smith – 830-377-4736*

Lot 874

1.0 Bongo - Mature

First calf of dominant female from Wildlife Partners. Sire is Melchizedek from WF Exotics.

This 2 yr. old was born and raised, semi-wild, in a 200-acre enclosure with heavy brush.

Never darted or handled - easy to approach within 15 - 20 yards. This is the animal you are purchasing. Located in Goliad, TX. Dylan Knapp will deliver at \$4.00/loaded mile.



Dam

Animal Selling



Sire

*Ribereno Exotics, LLC
Nathan East – 361-946-4570*

Lot 875

0.1 Kudu - Yearling

Yearling heifer that has been raised in 2,000 acres. Free choice protein and alfalfa is available year-round. The pictured bulls are all out of this herd. A rare offering to these superior genetics!! Picture is representative of the herd. Located in Christoval, TX.

Pick up in Christoval or delivery at \$4.00/loaded mile.



Chase Net, Inc.

Chase Akin – 325-650-8389

Lot 876

1.0 Sable - Yearling



*1.5 yr. old male Sable.
This is the animal you are purchasing.
Located near Buda, TX. Buyer picks up.
Call the EWA office at 830-315-7761.*

Exotic Wildlife Association – 830-315-7761

Lot 877

0.1 Sable - Yearling

Yearling Sable heifer has been raised in 2,000 acres on year-round free choice protein and alfalfa. The herd is extremely gentle and calm. Picture is representative of the herd. Located in Christoval, TX. Pick up in Christoval or delivery at \$4.00/loaded mile.



Chase Net, Inc.

Chase Akin – 325-650-8389

Lot 878

1.0 Sable - Yearling

Yearling female Sable. This is the animal you are purchasing.

Located near Buda, TX. Buyer picks up.

Call the EWA office at 830-315-7761.



Exotic Wildlife Association – 830-315-7761

Lot 879

0.1 Sable - Mature

This mature female sable pictured will be captured by a veterinarian and placed on buyer's trailer.

She can be ear tagged and have a hair sample taken upon buyers request at capture.

This is the animal you are purchasing. Located at Bear Creek Exotics.

Must be picked up at Bear Creek Exotics.



*Bear Creek Exotic, LLC
Doug Smith – 830-377-4736*

**Thank you to all our
Consignors & Buyers**

